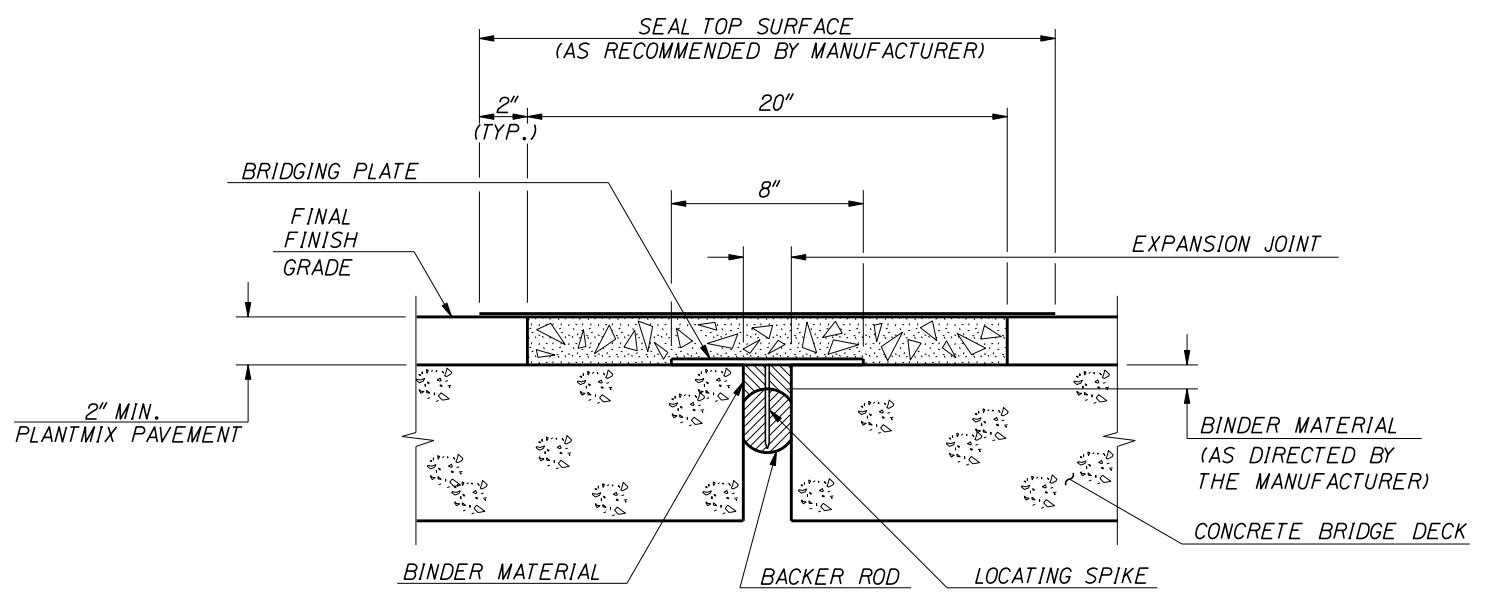
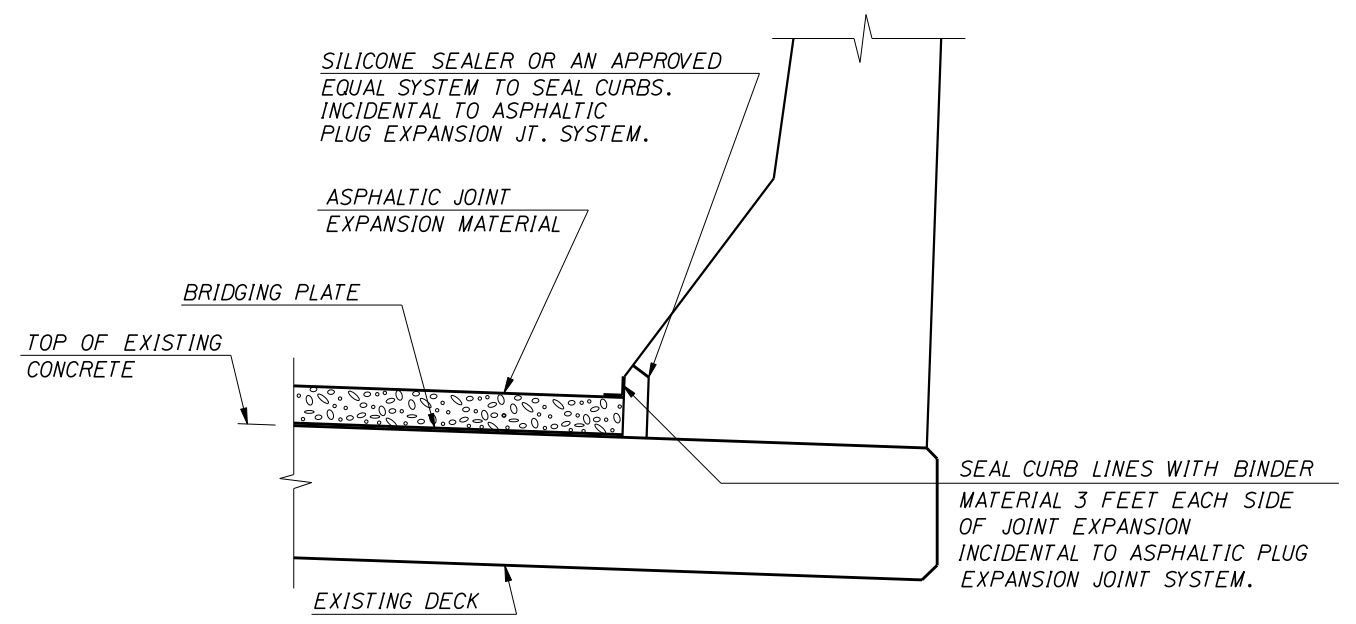


PLAN
NTS



SECTION A-A
NTS



SECTION B-B
NTS

REVISIONS				DESIGNED	SCALES SHOWN	ORIGINAL SIGNED BY:	IDAHO TRANSPORTATION DEPARTMENT	English	ASPHALTIC PLUG EXPANSION JOINT	BRIDGE PLANS	
NO.	DATE	BY	DESCRIPTION	DESIGN CHECKED	ARE FOR 34" X 22" PRINTS ONLY					COUNTY	KEY NO.
△				DESIGNED	CADD FILE NO.						
△				DESIGN CHECKED	SCALE: 1/4" = 1'-0"						
△				DETAILED	DATE: APR 2008						
△				DWG. CHECKED							
△				CORRECTIONS							