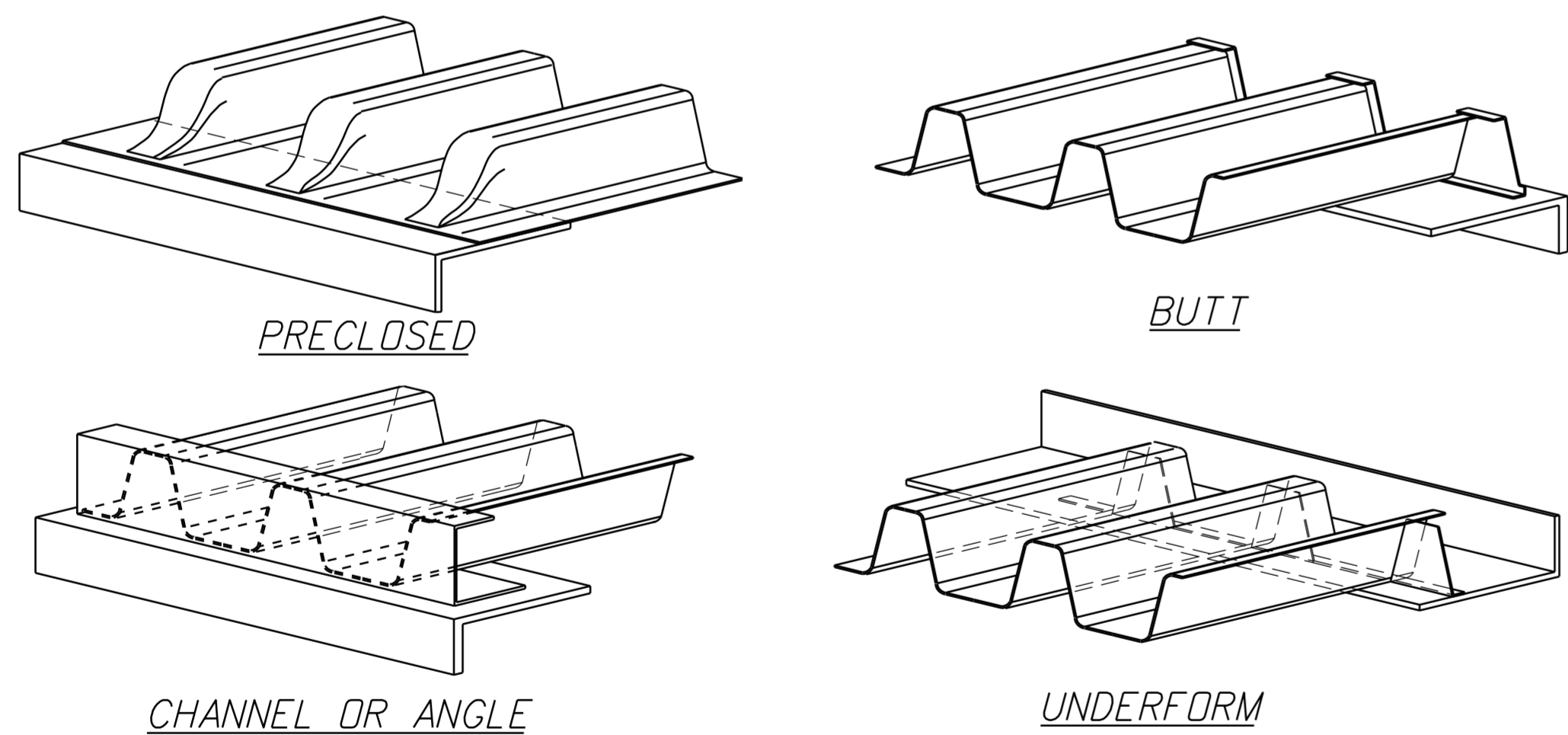
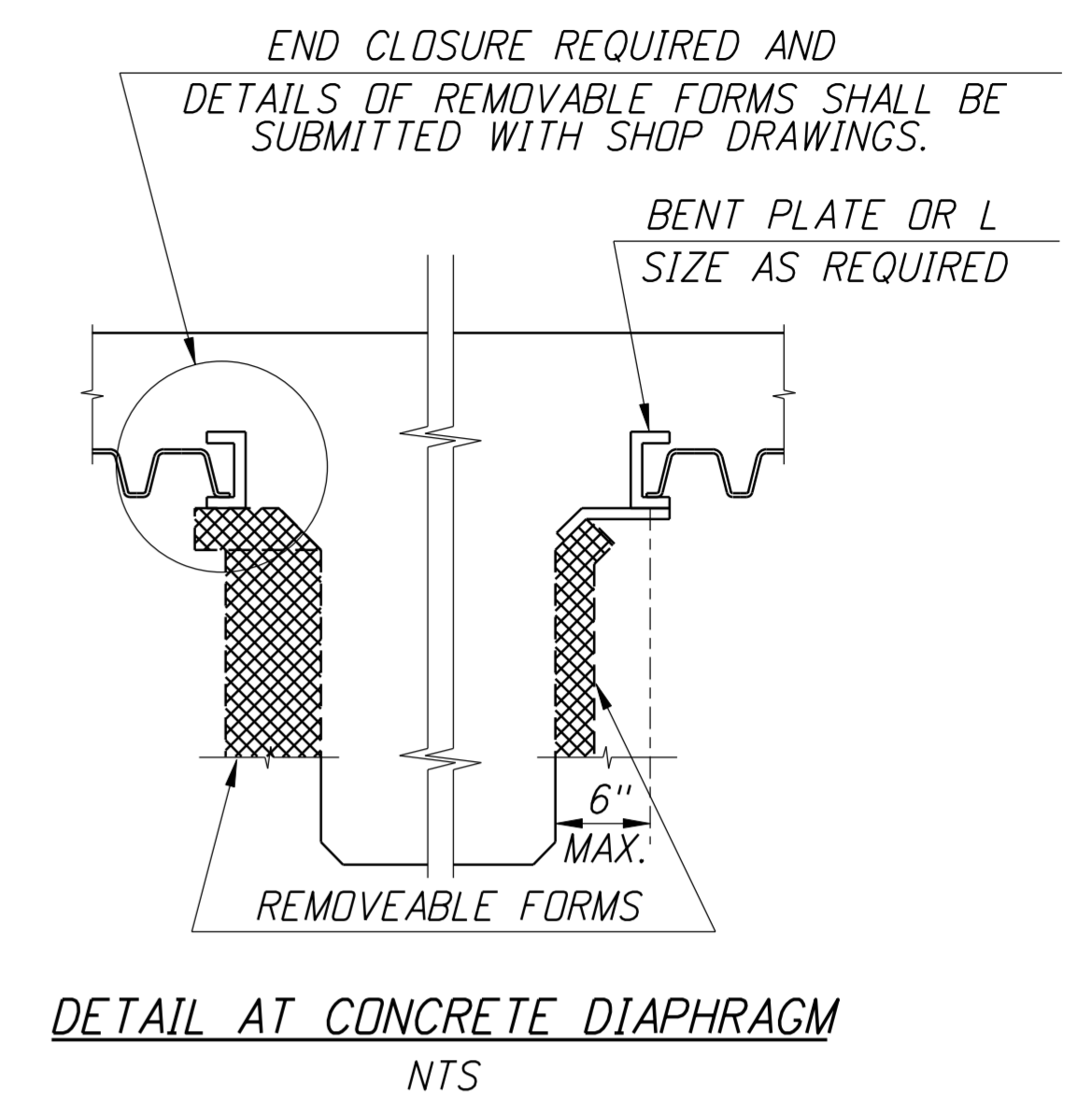
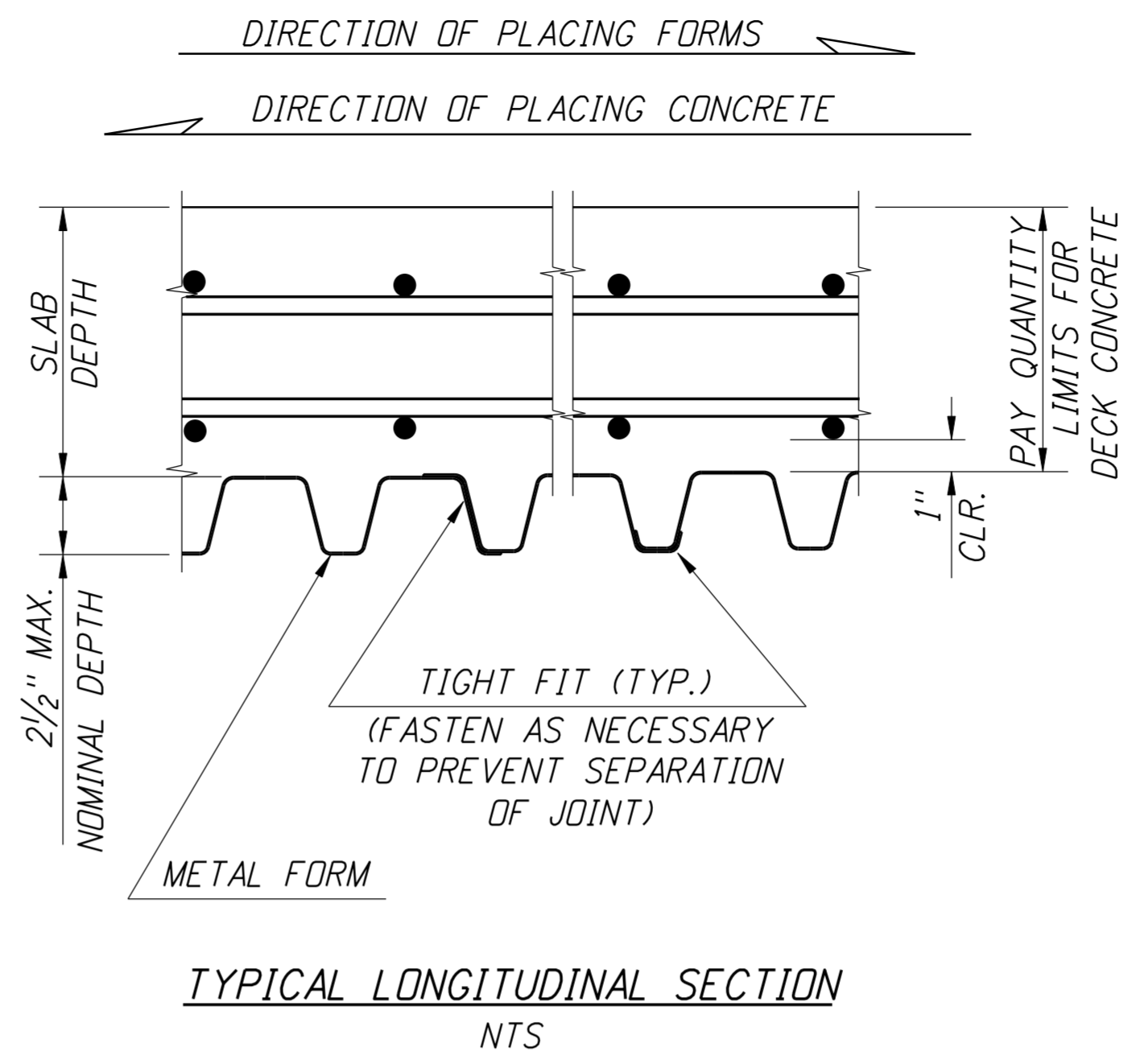
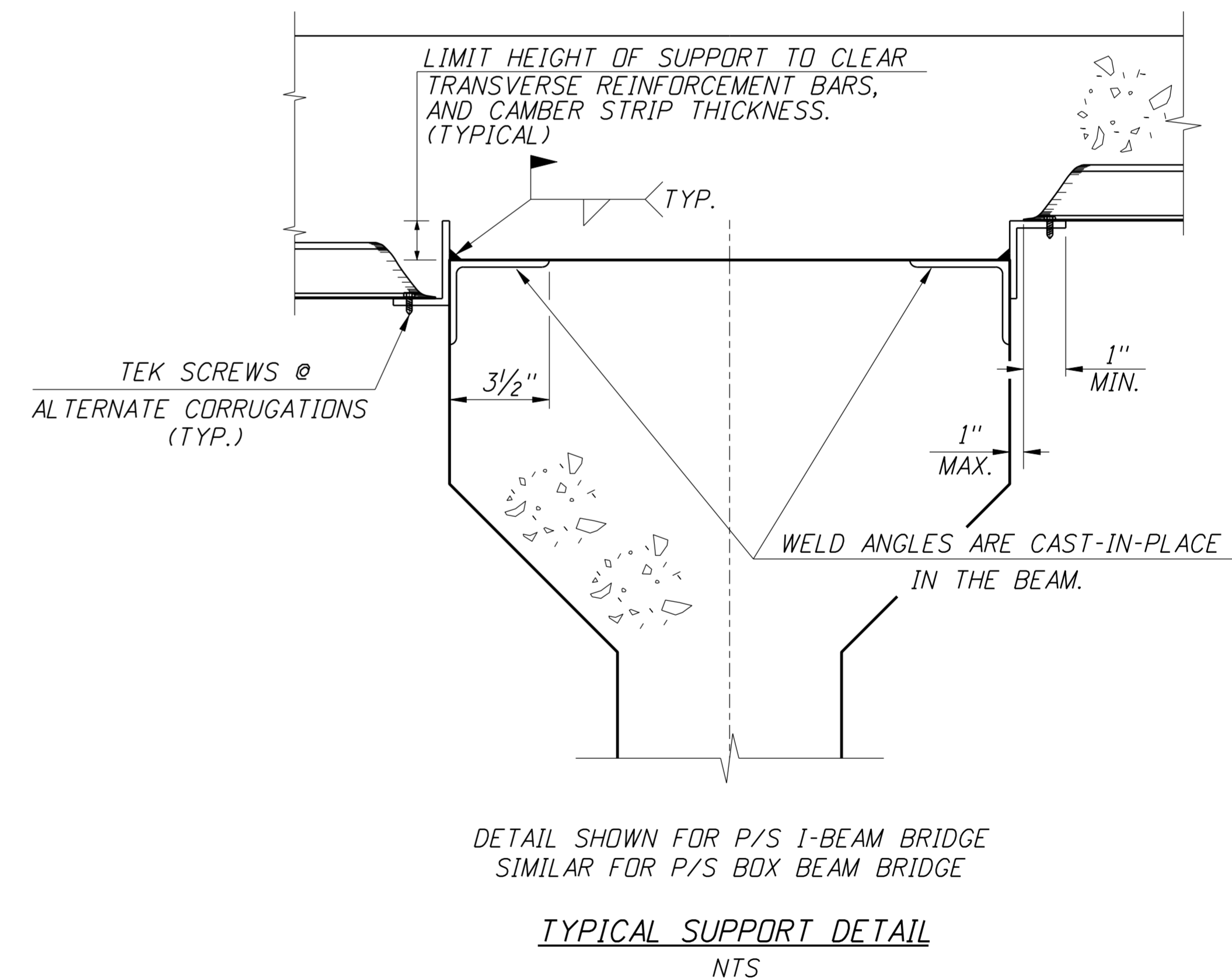


**NOTES**

1. MATERIALS, CONSTRUCTION AND WORKMANSHIP SHALL BE IN ACCORDANCE WITH THE IDAHO TRANSPORTATION DEPARTMENT STANDARD SPECIFICATIONS FOR HIGHWAY CONSTRUCTION, SUBSECTION 502.03, PART E.
2. ALL MATERIAL SHALL CONFORM TO ASTM SPECIFICATION A-653 SS GRADE 40 OR 50 HAVING A COATING DESIGNATION OF G165.
3. THE SHOP DRAWINGS AND CALCULATIONS FOR METAL DECK FORMS MUST BE STAMPED BY A PROFESSIONAL ENGINEER REGISTERED IN THE STATE OF IDAHO AND SHALL BE SUBMITTED PRIOR TO APPROVAL OF THE METAL DECK FORMS.
4. THE SHOP DRAWINGS AND CALCULATIONS FOR DECK OVERHANG BRACKETS SHALL BE SUBMITTED WITH THE S-I-P METAL DECK FORMS SHOP DRAWINGS.
5. BEFORE PROJECT COMPLETION, THE CONTRACTOR SHALL FURNISH THE ENGINEER A 22" X 34" REPRODUCIBLE MYLAR COPY OF THE APPROVED SHOP DRAWINGS.
6. THE WEIGHT OF THE STAY-IN-PLACE METAL DECK FORMS AND ADDITIONAL WEIGHT OF CONCRETE IN THE FLUTES SHALL NOT EXCEED 17 psf. STYROFOAM SHALL NOT BE PLACED IN THE FLUTES.
7. SHOW GAGE AND SIZE OF SUPPORTING ELEMENTS AND FORMS ON THE SHOP DRAWINGS ALONG WITH LENGTH, SIZE AND SPACING OF WELDS.
8. ATTACH FORM SHEETS IMMEDIATELY TO AVOID HAZARDS THAT CAN RESULT FROM LATERAL MOVEMENT OR SUDDEN UPLIFT.
9. PLACE THE FORMS OPPOSITE TO DIRECTION OF CONCRETE POUR, CONTRACTOR SHALL SPECIFY DIRECTION OF POUR TO ERECTOR BEFORE PLACEMENT OF DECK.
10. VERTICAL ADJUSTMENT OF SUPPORT ANGLES SHALL BE DETERMINED IN FIELD TO MAINTAIN CORRECT SLAB THICKNESS AND ROADWAY SLOPE.



TYPES OF END CLOSURES  
NTS



DETAIL SHOWN FOR P/S I-BEAM BRIDGE  
SIMILAR FOR P/S BOX BEAM BRIDGE

| REVISIONS |      |    |             | DESIGNED       | SCALES SHOWN                  | ORIGINAL SIGNED BY: | IDaho<br>TRANSPORTATION<br>DEPARTMENT | English | PERMANENT METAL DECK FORMS                 | BRIDGE PLANS       |                                |
|-----------|------|----|-------------|----------------|-------------------------------|---------------------|---------------------------------------|---------|--|--------------------|--------------------------------|
| NO.       | DATE | BY | DESCRIPTION | DESIGN CHECKED | ARE FOR 34" X 22" PRINTS ONLY |                     |                                       |         |  | PROJECT NO.        | BRIDGE LRFD MANUAL, PAGE B9.1B |
| △         |      |    |             | DETAILED       | CADD FILE NO.                 |                     |                                       |         | PRECAST/PRESTRESSED CONCRETE GIRDER BRIDGE |                    |                                |
| △         |      |    |             | DWG. CHECKED   | \\cadds\std_dgns\b09_ib.dgn   |                     |                                       |         |  | BRIDGE DRAWING NO. | SHEET                          |
| △         |      |    |             | CORRECTIONS    | DRAWING DATE: MAR 2011        | DATE SIGNED: DATE   |                                       |         |  |                    | OF                             |